

**KIT A: CUTTING DEVICE**                      **ART No: 5001601**

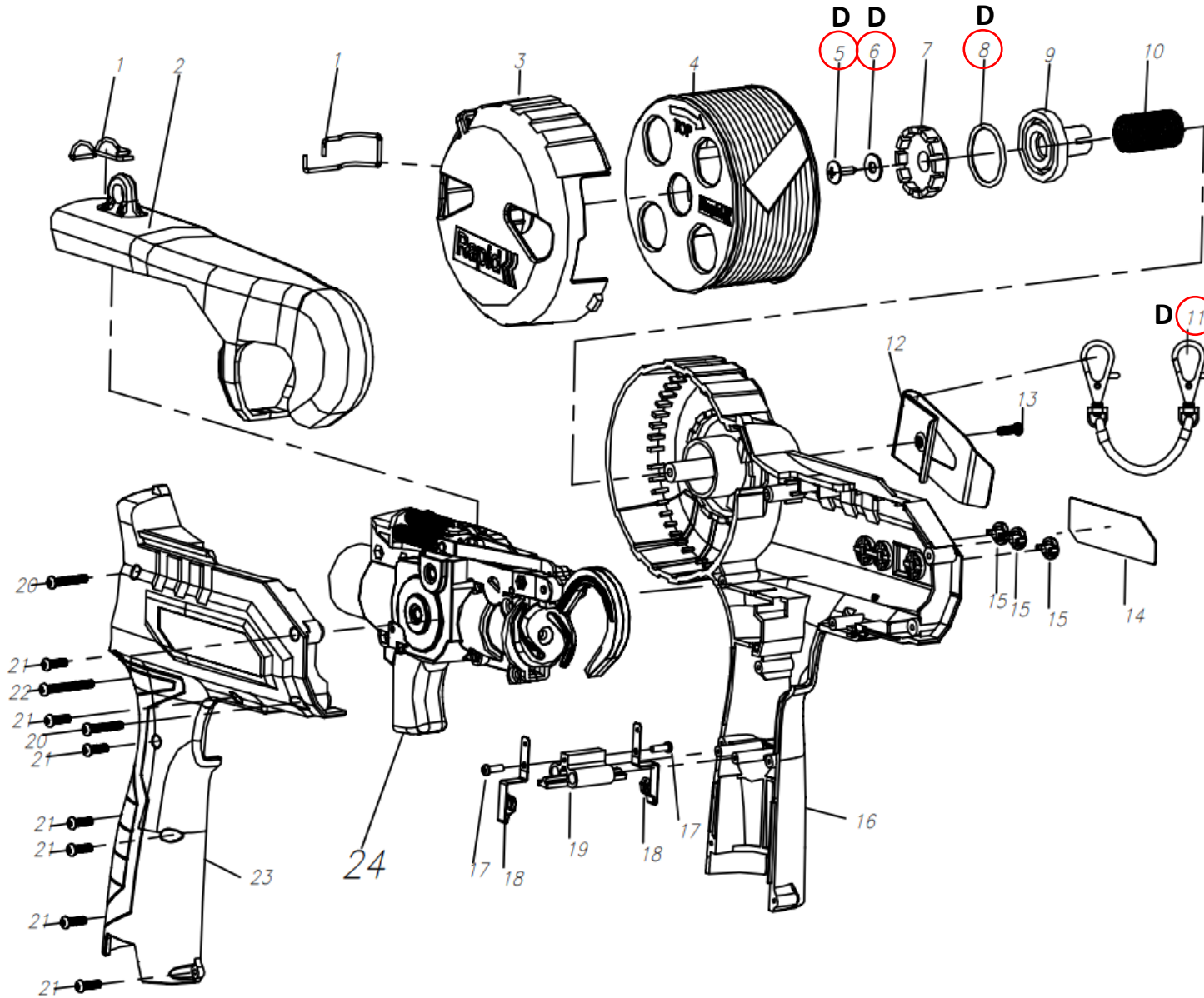
POSITION	DESCRIPTION	QUANTITY
76.	FIXED BLADE	1
77.	BLADE GUIDE BLOCK	1
81.	MOBILE BLADE	1

**KIT B: FEEDING DEVICE**                      **ART. No: 5001602**

POSITION	DESCRIPTION	QUANTITY
80.	RUBBER WHEEL	3
64.	CIRCLIP	3

**KIT C: TWIST & HOOK DEVICE**                      **ART. No: 5001603**

POSITION	DESCRIPTION	QUANTITY
61.	BUNDLE WHEEL	1
62.	HEX SCREW	1
68	MAIN HOOK	1
69	PIN	1
54	GUIDE BLOCK	1



**KIT D: BRAKE DEVICE**      **ART. No: 5001604**

POSITION	DESCRIPTION	QUANTITY
5.	HEAD SCREW	1
6.	FLAT GASKET	1
8.	RING	1
11.	BAND	1

**KIT E: SCISSORS**      **ART. No: 5001605**

